

# Night Vision Goggles

**Quick Start Guide:**

1. An adult must install the battery before use (see section 2 below).
2. Tighten the glasses using the headband.
3. Slide the headlamp's power switch to "ON" to turn on the LED light.
4. Detach the headlamp by rotating it upward for use as a handheld flashlight.

With these night vision goggles, you are ready for anything! Observing a secret nighttime meeting? With the magnifying lenses you can observe details even from a distance. Searching a crime scene in the dark? No problem, thanks to the LED headlamp on the goggles! You can also detach the headlamp and use it as a flashlight.

**WARNING!** Not suitable for children under 3 years. Choking hazard – small parts may be swallowed or inhaled. Strangulation hazard – long headband may become wrapped around the neck.

**WARNING!** Never look directly into the sun, either with your naked eye or through the goggles or magnifying lenses. You could blind yourself!

**WARNING!** Never leave the goggles or magnifying lenses unattended in the sun. There is a risk of fire!

**WARNING!** This toy does not provide protection, including sun protection.

**CAUTION!** This toy is not a safety protective device.

**IMPORTANT!** Protect the device from moisture.

Attach only the included LED headlamp to the goggles.

Keep the packaging and instructions as they contain important information.

**1. How your night vision goggles work:**

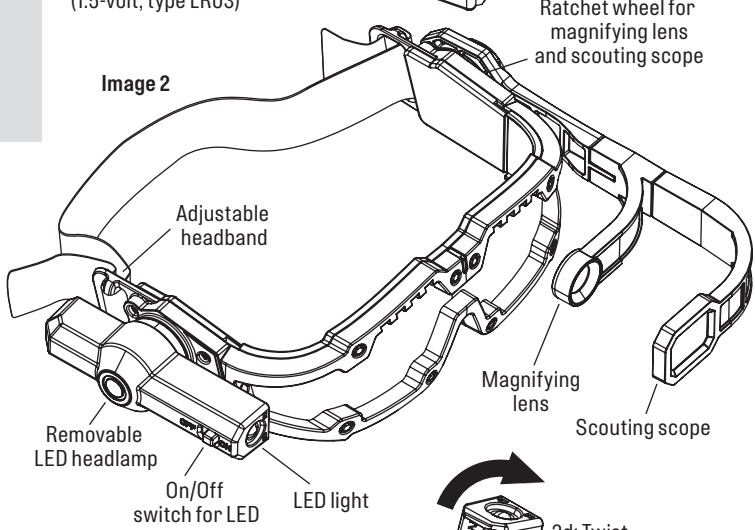
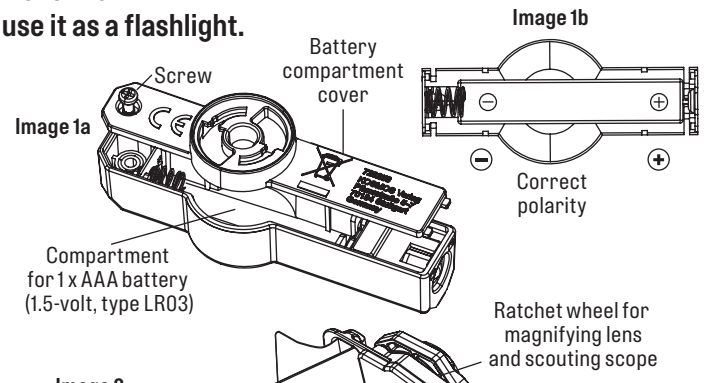
- An adult must install the battery. See section 2 below.
- Adjust the headband to the circumference of your head by tightening the two ends in the clips. (See image 2.)
- Switch on the LED light in the headlamp by sliding the on/off switch on the side of the headlamp to "ON." (See image 2.)
- To use the headlamp as a flashlight, remove it from the goggles. To do this, twist the headlamp up a bit and then pull it off the side of the goggles. (See image 3a.) To attach the headlamp onto the goggles again, place it on the fastener pointing slightly upward and twist it downward. (See images 3b, 3c, and 3d.)
- When you don't need to use the magnifying lens and scouting scope, you can carefully fold them up using the ratchet wheel on the goggles. (See image 2.)

**Tip!**

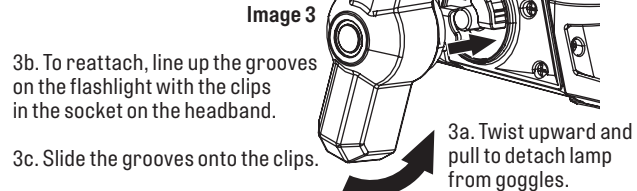
- Don't forget to turn off the LED again when you're not using the goggles so that the batteries last longer.

**2. How to insert and replace the battery:**

- An adult should insert and change the battery.
- Use the Phillips-head screwdriver to loosen the screw on the battery compartment and lift off the cover. The screw will remain in the cover. (See image 1a.)
- Remove the old battery (if applicable) and insert a new AAA battery (1.5-volt, type LR03). Pay attention to the correct polarity (+ and -). (See image 1b.)
- Close the battery compartment and screw the cover back on.



**Additional information about the lamp:**  
Never shine the light into your eyes or those of other living beings!



**Safety for Experiments with Batteries:**

- An adult should insert and change the batteries.
- To operate the device, you will need one AAA battery (1.5-volt, type LR03), which could not be included in the kit due to its limited shelf life.
- Avoid a short circuit of the batteries. A short circuit can cause the wires to overheat and the batteries to explode.
- Different types of batteries or new and used batteries are not to be mixed.
- Do not mix old and new batteries.

- Do not mix alkaline, standard (carbon-zinc), or rechargeable (nickel-cadmium) batteries.
- Batteries are to be inserted with the correct polarity (+ and -). Press them gently into the battery compartment. See above.
- Non-rechargeable batteries are not to be recharged. They could explode!
- Rechargeable batteries are only to be charged under adult supervision.
- Rechargeable batteries are to be removed from the toy before being charged.

- Exhausted batteries are to be removed from the toy.
- The supply terminals are not to be short-circuited.
- Dispose of used batteries in accordance with environmental provisions, not in the household trash.
- Avoid deforming the batteries.
- Do not leave the LED headlamp in direct sunlight or expose it to other sources of heat.
- **IMPORTANT!** Protect the device from moisture. Clean it with a damp cloth and allow it to dry thoroughly before using it again.

**NOTES ON DISPOSAL OF ELECTRICAL AND ELECTRONIC COMPONENTS**

The electronic components of this product are recyclable. For the sake of the environment, do not throw them into the household trash at the end of their lifespan. They must be delivered to a collection location for electronic waste, as indicated by the following symbol:



Please contact your local authorities for the appropriate disposal location.