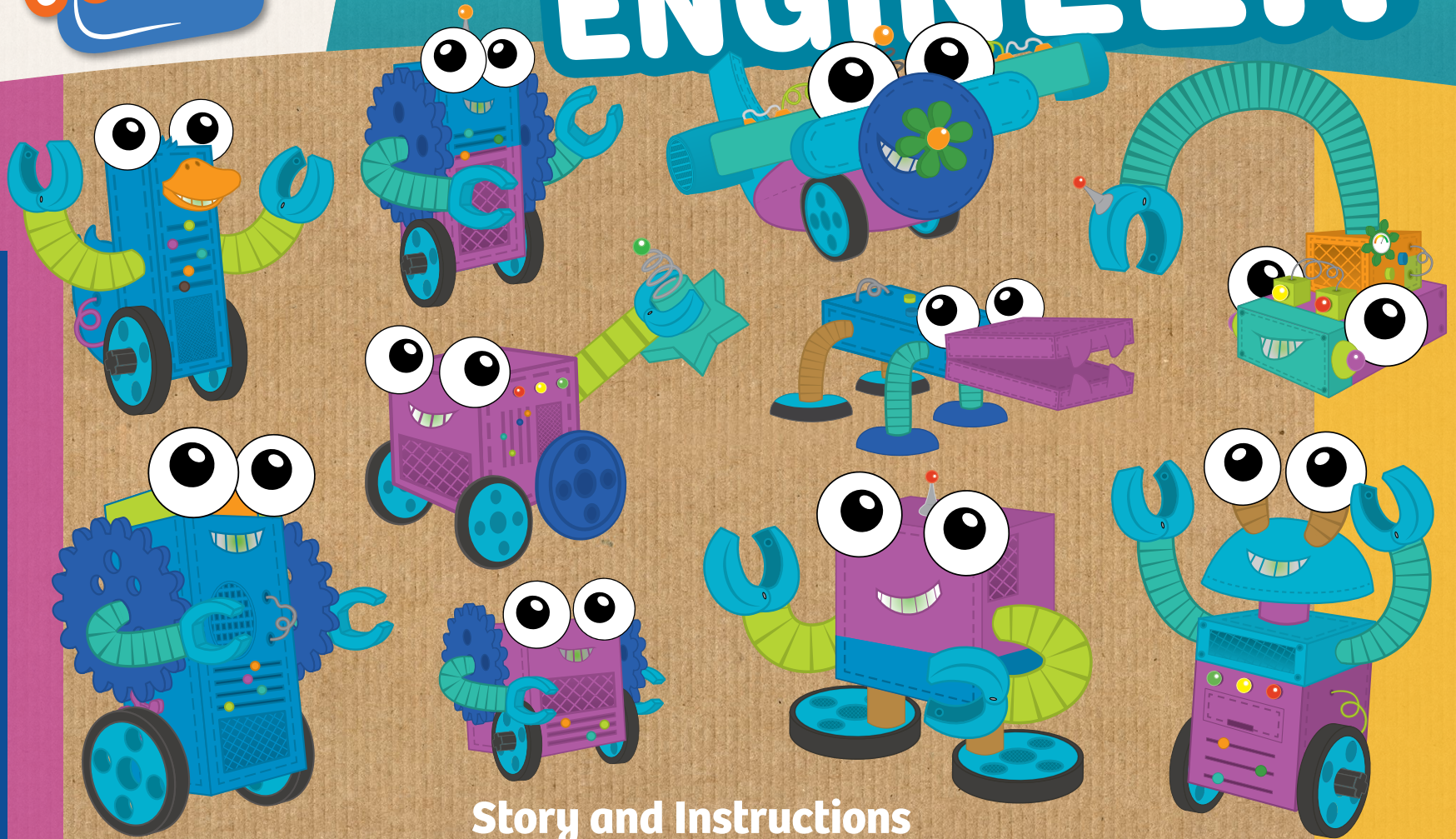




ROBOT ENGINEER

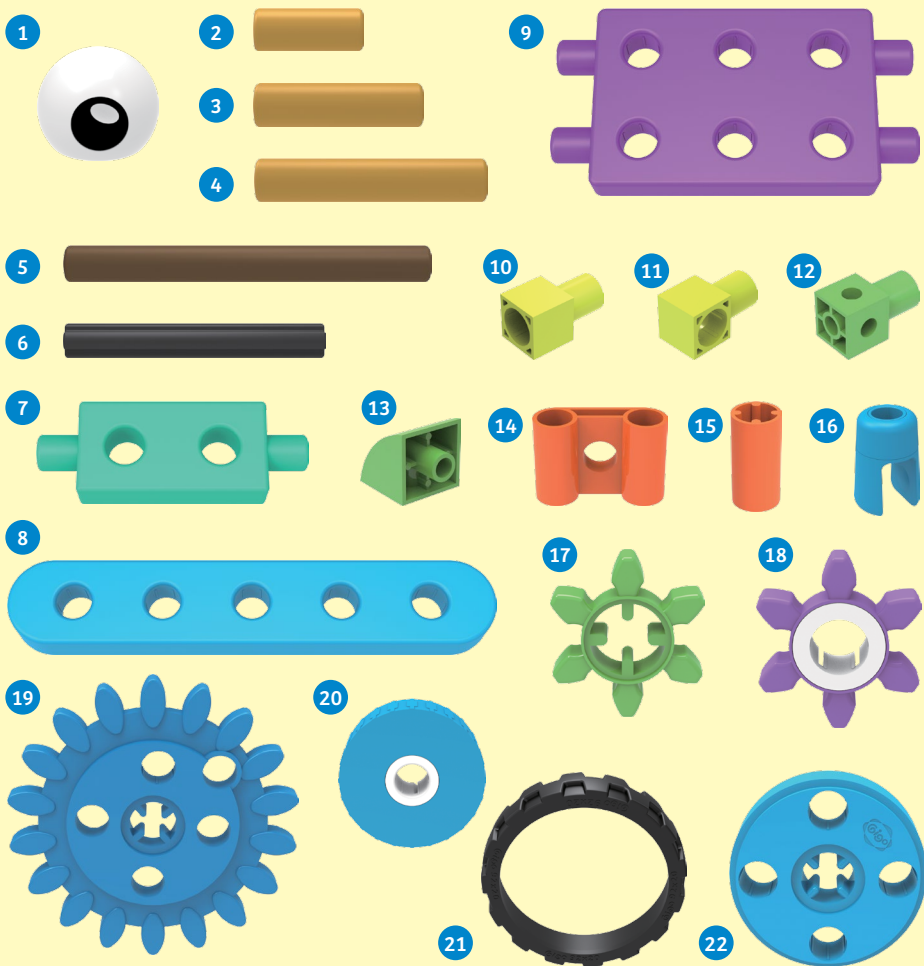


 THAMES & KOSMOS

Story and Instructions

>>> KIT CONTENTS

What's inside your kit:



Checklist: Find – Inspect – Check off

✓	No.	Description	Qty.	Item No.
<input type="radio"/>	1	Eye	2	7261-W85-A
<input type="radio"/>	2	Dowel, 4 cm	6	7268-W11-B1T
<input type="radio"/>	3	Dowel, 6 cm	2	7330-W11-X1T
<input type="radio"/>	4	Dowel, 8 cm	2	7330-W11-A1T
<input type="radio"/>	5	Long Dowel	1	7330-W11-B1D
<input type="radio"/>	6	Axle	4	7268-W11-A1D
<input type="radio"/>	7	2-hole rod	2	7330-W11-H1G
<input type="radio"/>	8	5-hole rod	2	7330-W11-D1B1
<input type="radio"/>	9	6-hole panel	2	7330-W11-C1P
<input type="radio"/>	10	Dowel block with top hole	4	7331-W10-D1G
<input type="radio"/>	11	Dowel block with side hole	6	7331-W10-D2G
<input type="radio"/>	12	Cube block with peg	1	7331-W10-D3G1
<input type="radio"/>	13	Convex block	2	880-W10-R1G4
<input type="radio"/>	14	Straight track connector	1	7331-W10-A10
<input type="radio"/>	15	Axle connector	2	7128-W10-C10
<input type="radio"/>	16	Connector clip	2	7261-W85-B1B
<input type="radio"/>	17	Small gear, green	3	7331-W10-L2G1
<input type="radio"/>	18	Small gear with adapter	2	7331-W85-L1P
<input type="radio"/>	19	Jumbo gear	2	8060-W10-A2B
<input type="radio"/>	20	Small wheel	1	8036-W85-11B1
<input type="radio"/>	21	Tire	2	7268-W10-E1D
<input type="radio"/>	22	Wheel	2	7268-W10-D1B

GOOD TO KNOW!

If you are missing any parts, please contact Thames & Kosmos customer service.



The group followed the conveyor belt into another room where they heard a buzzing sound.

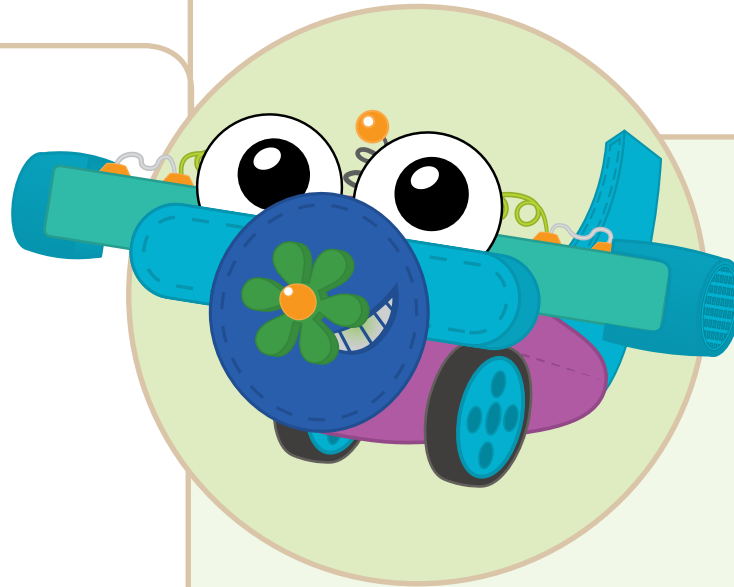
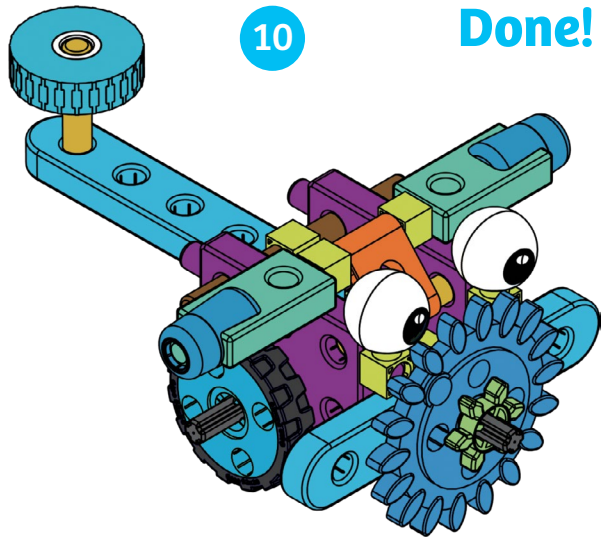
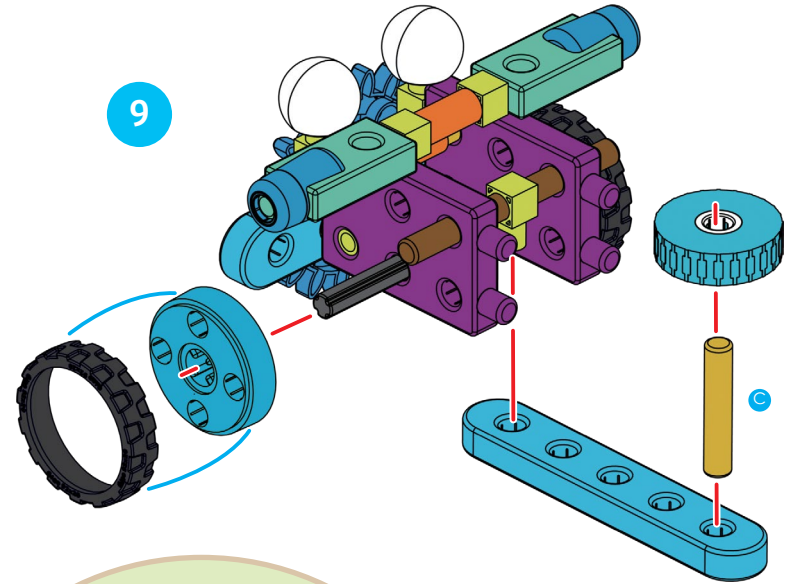
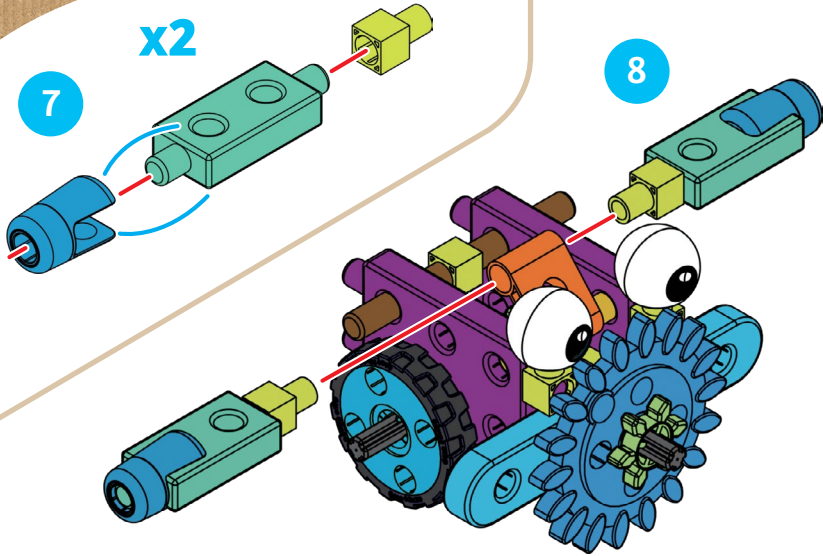
“I think there’s a bee in the room,” said Karlie.

“That’s just Fiona up there. She’s flying above the chocolates to drop sugar and sprinkles on them,” explained Ruby. “Fiona is a robotic unmanned airplane, which we call a drone. She is programmed to put just the right amount of sprinkles on the right candies at the right time in the process. She is much more precise than a human could be and can fly places a human cannot fly.”

“Look out, Remus!” shouted Ty, “You’re going to get sprinkled on!”

It was too late. Remus was covered in colorful candy sprinkles.





"Hi, I'm Fiona. I'm a flying robot. I have complex programs that control my propellers and wings to keep me in the perfect position to sprinkle coatings onto candies."